
DWM COPELAND

Spare Parts List for
Motor Compressors

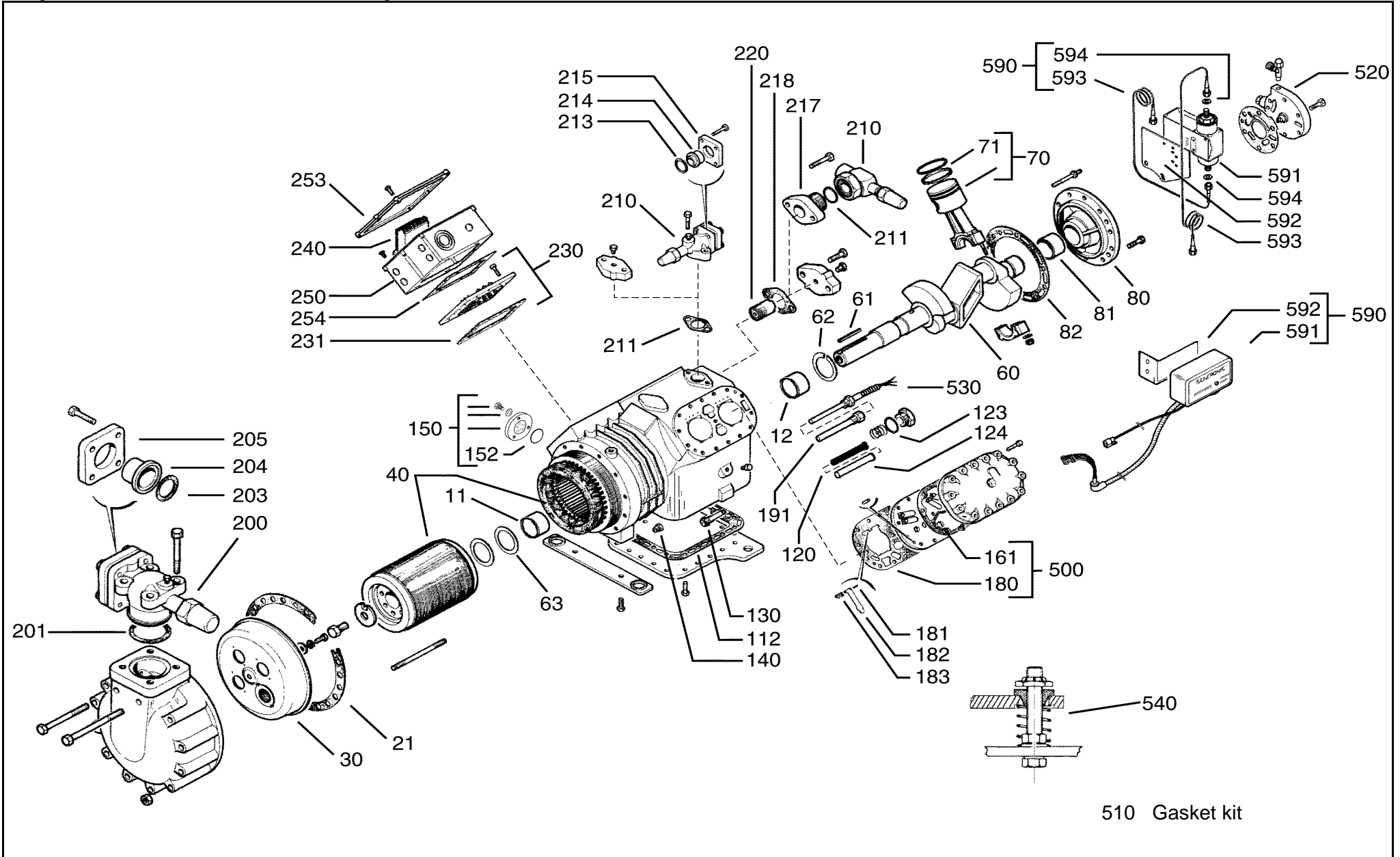
D4S*



09/03

Exploded View of a Motor Compressor

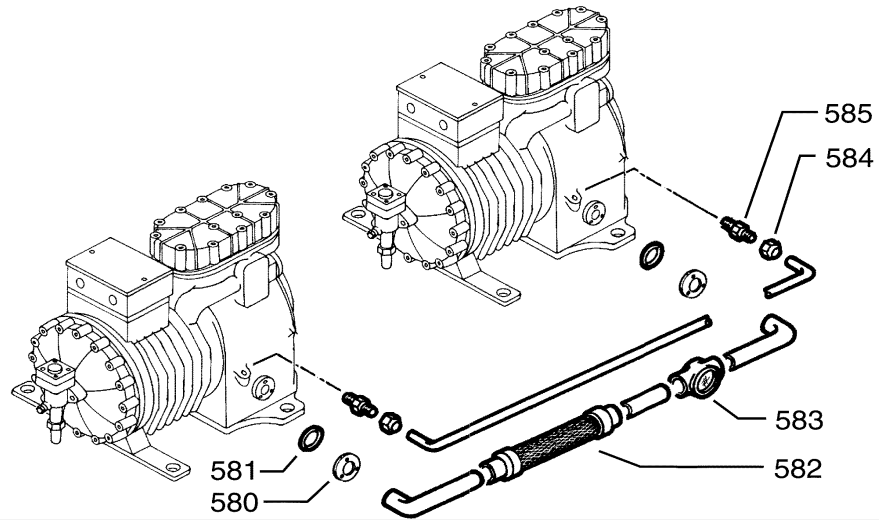
D4S.*



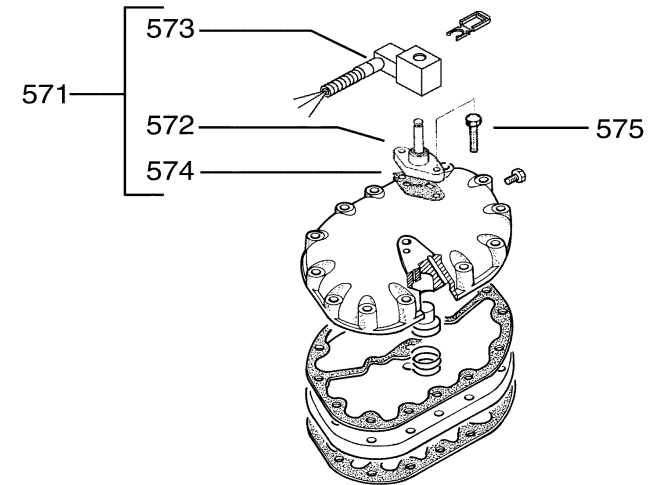
Exploded Views of Accessories

D4S.*

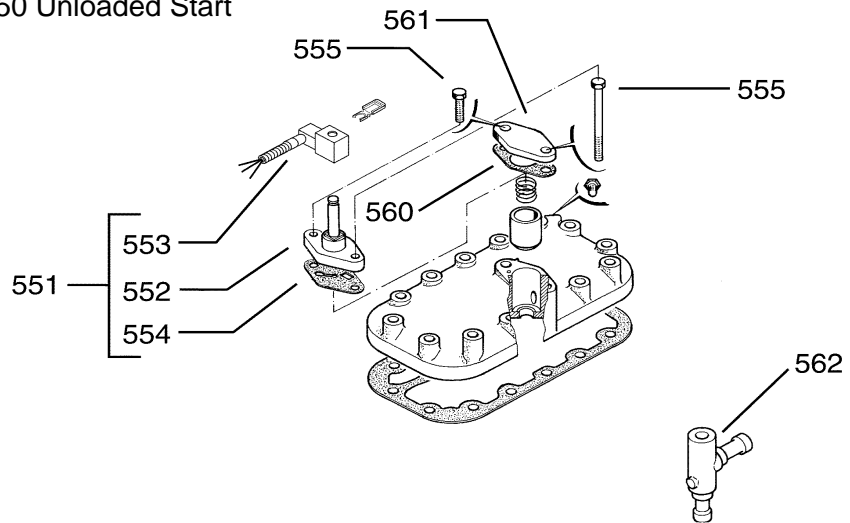
580 Oil balance tube for 2 compressors



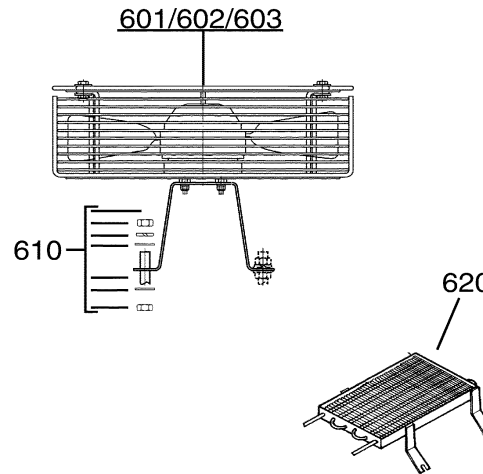
570 Capacity Control



550 Unloaded Start



600 Additional fan EBM 75 Z



600 Additional fan 60W

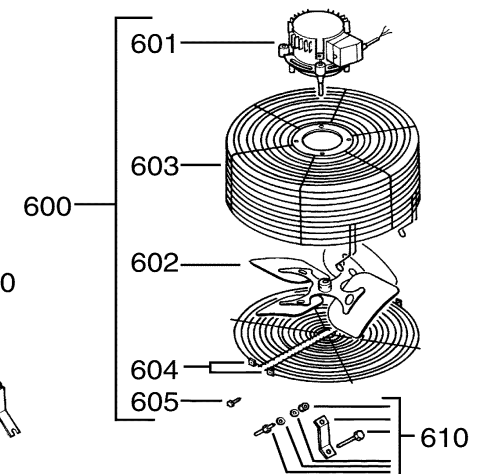


Diagram No.	Description	Part No.	D4SA*-1000	D4SF*-1000	D4SH*-1500	D4SL*-1500	D4SA*-2000	D4SJ*-2000	D4ST*-2000	D4SH*-2500	D4SJ*-3000
11	Bearing motor side	2882675	1	1	1	1	1	1	1	1	1
12	Bearing gear side	2882686	1	1	1	1	1	1	1	1	1
21	Gasket for stator cover	2882802	1	1	1	1	1	1	1	1	1
21/30	Suction strainer assy complete with gasket	2846162	1	1	1	1	1	1	1	1	1
40	Motor unit 10HP AWM/D	4561943	1	1							
40	Motor unit 10HP EWM/D	4561932	1	1							
40	Motor unit 10HP EWL	4561921	1	1							
40	Motor unit 10HP EWK	4561976	1	1							
40	Motor unit 15HP AWM/D	4562037			1	1					
40	Motor unit 15HP EWM/D	4562026			1	1					
40	Motor unit 15HP EWL	4562015			1	1					
40	Motor unit 15HP EWK	4562060			1	1					
40	Motor unit 20HP AWM/D	4562128					1				
40	Motor unit 20HP EWM/D	4562117					1				
40	Motor unit 20HP EWL	4562106					1				
40	Motor unit 20HP EWK	4562151					1				
40	Motor unit 20HP AWM/D	4562300						1	1		
40	Motor unit 20HP EWM/D	4562297						1	1		
40	Motor unit 20HP EWL	4562286						1	1		
40	Motor unit 20HP EWK	4562333						1	1		
40	Motor unit 25HP AWM/D	4562399									1
40	Motor unit 25HP EWM/D	4562388									1
40	Motor unit 25HP EWL	4562377									1
40	Motor unit 25HP EWK	4562468									1
40	Motor unit 30HP AWM/D	4562617									1
40	Motor unit 30HP EWM/D	4562606									1
40	Motor unit 30HP EWL	4562593									1
40	Motor unit 30HP EWK	4562640									1
60	Crankshaft	2049767	1	1			1				
60	Crankshaft	2050954			1	1		1	1	1	1
61	Crankshaft key	2049814	1	1	1	1	1	1	1	1	1
62	Washer open (gear side)	2858556	1	1	1	1	1	1	1	1	1
63	Washer closed (motor side)	2856823	1	1	1	1	1	1	1	1	1
70	Piston con-rod assy, 2 pcs per kit	2836116	2	2			2				
70	Piston con-rod assy, 2 pcs per kit	2836127			2	2				2	
70	Piston con-rod assy, 2 pcs per kit	2836149						2	2		2
71	Piston ring	2972074	8	8			8				

Diagram No.	Description	Part No.	D4SA*-1000	D4SF*-1000	D4SH*-1500	D4SL*-1500	D4SA*-2000	D4SJ*-2000	D4ST*-2000	D4SH*-2500	D4SJ*-3000
71	Piston ring	2972096			8	8				8	
71	Piston ring	2972110						8	8		8
80	Housing cover with bearing	2885992	1	1	1	1	1	1	1	1	1
80	Housing cover with bearing for oil cooler connection	2886008		1		1					
81	Bearing for housing cover	2882686	1	1	1	1	1	1	1	1	1
82	Gasket for housing cover	2884251	1	1	1	1	1	1	1	1	1
91	Gasket for oil pump	2884262	1	1	1	1	1	1	1	1	1
	Gasket, O-ring for oil pump	2947601	1	1	1	1	1	1	1	1	1
112	Gasket for bottom plate	2883087	1	1	1	1	1	1	1	1	1
120/123	Oil screen with gasket	3806796	1	1	1	1	1	1	1	1	1
123	Gasket for oil screen	2885005	1	1	1	1	1	1	1	1	1
124	Sleeve for oil screen	2882722	1	1	1	1	1	1	1	1	1
130	Gas check valve	2895620	1	1	1	1	1	1	1	1	1
140	Oil check valve	2862060	1	1	1	1	1	1	1	1	1
150	Oil sight glass assy.	2482519	1	1	1	1	1	1	1	1	1
152	Gasket for oil sight glass	2042028	1	1	1	1	1	1	1	1	1
161	Gasket for valve plate below cylinder head (1 piece)	6610909	2	2	2	2	2	2	2	2	2
161/180	Gaskets for 1 valve plate (kit) below cylinder head and below valve plate	2845487	2	2			2				
161/180	Gaskets for 1 valve plate (kit) below cylinder head and below valve plate	2845498			2	2				2	
161/180	Gaskets for 1 valve plate (kit) below cylinder head and below valve plate	2845501						2	2		2
180	Gasket for valve plate below valve plate (1 piece)	2528762	2	2			2				
180	Gasket for valve plate below valve plate (1 piece)	2896203			2	2				2	
180	Gasket for valve plate below valve plate (1 piece)	3104241						2	2		2
181/182/	Parts for 1 valve plate (suction valve reed, pad, dowel pin)	2836774	2	2			2				
181/182/	Parts for 1 valve plate (suction valve reed, pad, dowel pin)	2836785			2	2				2	
181/182/	Parts for 1 valve plate (suction valve reed, pad, dowel pin)	2836809						2	2		2
191	Sleeve for crankcase heater	6610181	1	1	1	1	1	1	1	1	1
200/201	Suction shut-off valve with gasket, sweat 1 5/8"/42 mm	2837084	1	1	1	1	1				
200/201	Suction shut-off valve with gasket, sweat 2 1/8"	2837119						1	1	1	1
	Suction shut-off valve with gasket, sweat 2 1/8" Tandem-compressors	2837119	1	1	1	1	1				
	Suction shut-off valve with gasket, sweat 2 5/8" Tandem-compressors	2837142								1	
	Suction shut-off valve with gasket, sweat 3 1/8" Tandem-compressors	2837153						1	1		1
201	Gasket for suction shut-off valve	2880851	1	1	1	1	1				
201	Gasket for suction shut-off valve	2880862						1	1	1	1
	Gasket for suction shut-off valve Tandem-compressors	2880862	1	1	1	1	1				
	Gasket for suction shut-off valve Tandem-compressors	2880873						1	1	1	1
	Gasket for adapter, suction chamber/suction shut-off valve Tandem-compressors	2881172	1	1	1	1	1				

Diagram No.	Description	Part No.	D4SA*-1000	D4SF*-1000	D4SH*-1500	D4SL*-1500	D4SA*-2000	D4SJ*-2000	D4ST*-2000	D4SH*-2500	D4SJ*-3000
	Gasket for adapter, suction chamber/suction shut-off valve Tandem-compressors	2881183						1	1	1	1
203	Gasket for pipe socket Henry	2880895	1	1	1	1	1				
203	Gasket for pipe socket Nobis	2881467	1	1	1	1	1				
203	Gasket for pipe socket	3091932						1		1	1
	Gasket for pipe socket Tandem-compressors	3091932	1	1	1	1	1				
	Gasket for pipe socket Tandem-compressors	2880873						1	1	1	1
204	Pipe socket 1 5/8"/42 mm Henry	2938829	1	1	1	1	1				
204	Lötstutzen 1 5/8"/42 mm Nobis	2938830	1	1	1	1	1				
204	Pipe socket 2 1/8" Henry	2832830						1	1	1	1
204	Pipe socket 2 1/8" Nobis	2832841						1	1	1	1
	Pipe socket 2 1/8" Henry Tandem-compressors	2832830	1	1	1	1	1				
	Pipe socket 2 1/8" Nobis Tandem-compressors	2832841	1	1	1	1	1				
	Pipe socket 2 5/8" Tandem- compressors	3055009								1	
	Pipe socket 3 1/8" Tandem-compressors	2856674						1	1		1
205	Flange 1 5/8"/42 mm Henry/Nobis	2050078	1	1	1	1	1				
205	Flange 2 1/8" Henry	2050578						1	1	1	1
205	Flange 2 1/8" Nobis	2946846						1	1	1	1
	Flange 2 1/8" Henry Tandem-compressors	2050578	1	1	1	1	1				
	Flange 2 1/8" Nobis Tandem-compressors	2946846	1	1	1	1	1				
	Flange 2 5/8"/3 1/8" Tandem-compressors	2830958						1	1	1	1
210/211	Discharge shut-off valve with gasket, sweat 1 1/8"	2837108	1		1		1			1	
210/211	Discharge shut-off valve with gasket, sweat 1 1/8"	2837131		1		1					1
210/211	Discharge shut-off valve with gasket, sweat 1 3/8"	2837062						1			1
210/211	Discharge shut-off valve with gasket, sweat 1 3/8"	2837120							1		
	Discharge shut-off valve with gasket, sweat 1 1/8" Tandem-compressors (1 piece)	2837131	2	2	2	2	2			2	
	Discharge shut-off valve with gasket, sweat 1 1/8" Tandem-compressors (1 piece)	2837120						2	2		2
211	Gasket for discharge shut-off valve	2880908	1		1		1	1		1	1
211	Gasket for discharge shut-off valve	2050772		1		1			1		
	Gasket for discharge shut-off valve Tandem-compressors (1 piece)	2050772	2	2	2	2	2	2	2	2	2
213	Gasket for pipe socket	2880884	1		1		1	1		1	1
214	Pipe socket 1 1/8"	2045936	1		1		1			1	
214	Pipe socket 1 3/8"	2048060						1			1
215	Flange 1 1/8"	2859720	1		1		1			1	
215	Flange 1 3/8"	2045152						1			1
	Shipping plate with gasket and screws (kit), suction side	2846093	1	1	1	1	1				
	Shipping plate with gasket and screws (kit), suction side	2846106						1	1	1	1
	Shipping plate with gasket and screws (kit), discharge side	2846082	1	1	1	1	1	1	1	1	1

Diagram No.	Description	Part No.	D4SA*-1000	D4SF*-1000	D4SH*-1500	D4SL*-1500	D4SA*-2000	D4SJ*-2000	D4ST*-2000	D4SH*-2500	D4SJ*-3000
217	Mounting adapter for Rotalock valve	2050749		1		1			1		
218	Gasket for mounting adapter Rotalock valve	2880908		1		1			1		
	Discharge temperature protection kit	2825292	1	1			1	1	1		1
	Discharge temperature protection kit	2825316			1	1					1
	Discharge temperature protection, temperature sensor (1 piece)	2912385	2	2			2	2	2		2
	Discharge temperature protection, temperature sensor (1 piece)	2912396			2	2				2	
	Module for discharge temperature protection Kriwan INT 69 V external 220 V	2912501	1	1	1	1	1	1	1	1	1
220	Internal pressure relief valve	3086072	1	1	1	1	1	1	1	1	1
230	Terminal plate assy	2514225	1	1	1	1	1	1	1	1	1
	Pack up terminal parts (kit)	2865592	1	1	1	1	1	1	1	1	1
231	Gasket for terminal plate	2880840	1	1	1	1	1	1	1	1	1
240	Module for VW-protection Kriwan INT 69 TM internal 24 V, DC	2832476	1	1	1	1	1	1	1	1	1
240	Module for VW-protection Kriwan INT 69 TM internal 24 V	2831553	1	1	1	1	1	1	1	1	1
240	Module for VW-protection Kriwan INT 69 TM internal 110 V	2831326	1	1	1	1	1	1	1	1	1
240	Module for VW-protection Kriwan INT 69 TM internal 220 V	2919411	1	1	1	1	1	1	1	1	1
240	Module for VW-protection Kriwan INT 69 TM internal 200-260 V	2940973	1	1	1	1	1	1	1	1	1
250	Terminal box	2937757	1	1	1	1	1	1	1	1	1
253	Cover for terminal box motor EW_, TW_, AW_	2937768	1	1	1	1	1	1	1	1	1
254	Gasket for terminal box	2938396	1	1	1	1	1	1	1	1	1
500	Valve plate assy	3805759	2	2							
500	Valve plate assy	3805782			2					2	
500	Valve plate assy	3805771				2					
500	Valve plate assy	3805760					2				
500	Valve plate assy	3805793							2		
500	Valve plate assy	3805806						2			2
510	Gasket kit	2049530	1	1			1				
510	Gasket kit	2050409			1	1				1	
510	Gasket kit	2828951						1	1		1
520	Oil pump assy	2834778	1		1		1	1		1	1
520	Oil pump assy	3121722		1		1			1		
530	Crankcase heater, internal 100 W, 115 V	4582584	1	1	1	1	1	1	1	1	1
530	Crankcase heater, internal 100 W, 230 V	6610169	1	1	1	1	1	1	1	1	1
530	Crankcase heater, internal 100 W, 480 V	2834358	1	1	1	1	1	1	1	1	1
	Silicone paste for mounting the heater into the sleeve	2942537	1	1	1	1	1	1	1	1	1
540	Mounting parts (kit)	2049643	1	1	1	1	1				
540	Mounting parts (kit)	2263787						1	1	1	1
	Rubber mounting parts (kit)	2482315	1	1	1	1	1	1	1	1	1

Diagram No.	Description	Part No.	D4SA*-1000	D4SF*-1000	D4SH*-1500	D4SL*-1500	D4SA*-2000	D4SJ*-2000	D4ST*-2000	D4SH*-2500	D4SJ*-3000
550	Unloaded start (conversion kit) w/o check valve with solenoid coil 230 V, 50/60 Hz internal ALCO CONTROLS	3806901	1	1	1	1	1				
550	Unloaded start (conversion kit) w/o check valve with solenoid coil 230 V, 50/60 Hz internal ALCO CONTROLS	3806912						1			1
550a	Unloaded start (conversion kit) inactive, w/o control valve, w/o solenoid coil, w/o check valve internal	3106689	1	1	1	1	1		1	1	
550a	Unloaded start (conversion kit) inactive, w/o control valve, w/o solenoid coil, w/o check valve internal	3106690						1			1
551	Unloaded start kit (control valve, gasket, coil) 24 V, DC internal ALCO CONTROLS	2900231	1	1	1	1	1	1	1	1	1
551	Unloaded start kit (control valve, gasket, coil) 24 V, 50/60 Hz internal ALCO CONTROLS	2900220	1	1	1	1	1	1	1	1	1
551	Unloaded start kit (control valve, gasket, coil) 120 V, 50/60 Hz internal ALCO CONTROLS	2900219	1	1	1	1	1	1	1	1	1
551	Unloaded start kit (control valve, gasket, coil) 230 V, 50/60 Hz internal ALCO CONTROLS	2900208	1	1	1	1	1	1	1	1	1
552	Control valve w/o coil ALCO CONTROLS	2962471	1	1	1	1	1	1	1	1	1
553	Solenoid coil 24 V, DC ALCO CONTROLS	2831337	1	1	1	1	1	1	1	1	1
553	Solenoid coil 24 V, 50/60 Hz ALCO CONTROLS	2731051	1	1	1	1	1	1	1	1	1
553	Solenoid coil 120 V, 50/60 Hz ALCO CONTROLS	2830049	1	1	1	1	1	1	1	1	1
553	Solenoid coil 230 V, 50/60 Hz ALCO CONTROLS	2640773	1	1	1	1	1	1	1	1	1
554	Gasket for control valve	2884115	1	1	1	1	1	1	1	1	1
555	Bolt 3/8"-16 UNC x 4" 10.9 (1 piece)	2880146	2	2	2	2	2		2	2	
555	Bolt 3/8"-16 UNC x 5" 10.9 (1 piece)	2876767						2			2
560	Gasket for shipping plate	2884115	1	1	1	1	1	1	1	1	1
561	Shipping plate for unloaded start	2830016	1	1	1	1	1	1	1	1	1
562	Check valve 22 mm NRV 22 S	2946891	1	1	1	1	1	1	1	1	
562	Check valve with strong spring for Tandem-compressors and parallel-systems 22 mm NR VH 22 S	2952243	1	1	1	1	1	1	1	1	
562	Check valve 28 mm NRV 28 S	2946904									1
562	Check valve with strong spring for Tandem-compressors and parallel-systems 28 mm NR VH 28 S	2952254									1
570	Capacity control (conversion kit) 50 % reduction 230 V, 50/60 Hz internal ALCO CONTROLS	2641652	1	1	1	1	1		1	1	
570	Capacity control (conversion kit) 50 % reduction 230 V, 50/60 Hz internal ALCO CONTROLS	2852558						1			1
570a	Capacity control (conversion kit) inactive 50 % reduction, w/o control valve, w/o solenoid coil internal	3106667	1	1	1	1	1		1	1	
570a	Capacity control (conversion kit) inactive 50 % reduction, w/o control valve, w/o solenoid coil internal	3106678						1			1
571	Capacity control kit (control valve, gasket, solenoid coil) 50 % reduction 24 V, DC ALCO CONTROLS	2879562	1	1	1	1	1	1	1	1	1
571	Capacity control kit (control valve, gasket, solenoid coil) 50 % reduction 24 V, 50/60 Hz ALCO CONTROLS	2865796	1	1	1	1	1	1	1	1	1
571	Capacity control kit (control valve, gasket, solenoid coil) 50 % reduction 120 V, 50/60 Hz ALCO CONTROLS	2865785	1	1	1	1	1	1	1	1	1
571	Capacity control kit (control valve, gasket, solenoid coil) 50 % reduction 230 V, 50/60 Hz ALCO CONTROLS	2835339	1	1	1	1	1	1	1	1	1
572	Control valve for capacity control w/o solenoid coil ALCO CONTROLS	2640831	1	1	1	1	1	1	1	1	1
573	Solenoid coil 24 V, DC ALCO CONTROLS	2831337	1	1	1	1	1	1	1	1	1
573	Solenoid coil 24 V, 50/60 Hz ALCO CONTROLS	2731051	1	1	1	1	1	1	1	1	1
573	Solenoid coil 120 V, 50/60 Hz ALCO CONTROLS	2830049	1	1	1	1	1	1	1	1	1
573	Solenoid coil 230 V, 50/60 Hz ALCO CONTROLS	2640773	1	1	1	1	1	1	1	1	1
574	Gasket for control valve	2954954	1	1	1	1	1	1	1	1	1
575	Bolt 3/8"-16 UNC x 3 3/4" 10.9 (1 piece)	2939173	2	2	2	2	2		2	2	

Diagram No.	Description	Part No.	D4SA*-1000	D4SF*-1000	D4SH*-1500	D4SL*-1500	D4SA*-2000	D4SJ*-2000	D4ST*-2000	D4SH*-2500	D4SJ*-3000
575	Bolt 3/8"-16 UNC x 5" 10.9 (1 piece)	2876767						2			2
	Shipping plate for capacity control (capacity control not active)	2830016	1	1	1	1	1	1	1	1	1
	Gasket for shipping plate	2877997	1	1	1	1	1	1	1	1	1
580	Flange sweat (1 piece)	2496330	2	2	2	2	2	2	2	2	2
581	Gasket for flange sweat (1 piece)	2042028	2	2	2	2	2	2	2	2	2
582	Vibration absorber	2040099	1	1	1	1	1	1	1	1	1
583	Oil sight glass SLG 28	2495882	1	1	1	1	1	1	1	1	1
584	Insert socket 1/4"-18 NPTF (1 piece)	2063909	2	2	2	2	2	2	2	2	2
585	Cap nut (1 piece)	2038456	2	2	2	2	2	2	2	2	
	Oil and gas equalization line for 1 compressor (flange sweat, gasket, insert socket, cap nut)	3106952	1	1	1	1	1	1	1	1	1
	Oil regulation system, complete, ALCO OMA TraxOil	OMA-CUA	8526719	1	1	1	1	1	1	1	1
	Transformer for oil regulating system ALCO OMA TraxOil	ETC-523	8527518	1	1	1	1	1	1	1	1
	Oil pressure safety switch complete (sensor, electronic switch and PG-screw connections) 115 V, 50/60 Hz OPS1	115 V, 50/60 Hz	3115825	1	1	1	1	1	1	1	1
	Oil pressure safety switch complete (sensor, electronic switch and PG-screw connections) 230 V, 50/60 Hz OPS1	230 V, 50/60 Hz	3112257	1	1	1	1	1	1	1	1
590	Oil pressure safety switch with bracket and 2 capillary tubes ALCO CONTROLS		2834018	1	1	1	1	1	1	1	1
590	Oil pressure safety switch with bracket and sensor SENTRONIC+ NEW		2835419	1	1	1	1	1	1	1	1
	Electronic switch 115 V, 50/60 Hz OPS1 (CAUTION! For initial installation order 3115814, including PG-screw connections)	115 V, 50/60 Hz	3115803	1	1	1	1	1	1	1	1
	Electronic switch 230 V, 50/60 Hz OPS1 (CAUTION! For initial installation order 3112462, including PG-screw connections)	230 V, 50/60 Hz	3110795	1	1	1	1	1	1	1	1
591	Oil pressure safety switch, w/o bracket, w/o capillary tubes ALCO CONTROLS		2966622	1	1	1	1	1	1	1	1
591	Oil pressure safety switch, w/o bracket, w/o sensor, SENTRONIC (Caution! Obsolete and new SENTRONIC parts, e.g. obsolete module with new sensor, must not be used commonly), not available anymore		2951853	1	1	1	1	1	1	1	1
591	Oil pressure safety switch, w/o bracket, w/o sensor, SENTRONIC+ NEW (Caution! Obsolete and new SENTRONIC parts, e.g. obsolete module with new sensor, must not be used commonly)		3127822	1	1	1	1	1	1	1	1
591/593	Oil pressure safety switch with 2 capillary tubes, w/o bracket ALCO CONTROLS		2942300	1	1	1	1	1	1	1	1
592	Bracket for oil pressure safety switch ALCO CONTROLS/Ranco		2039960	1	1	1	1	1	1	1	1
592	Bracket for oil pressure safety switch SENTRONIC		2884557	1	1	1	1	1	1	1	1
593	Capillary tube for oil pressure safety switch with gaskets, Cu-ring ALCO CONTROLS/Ranco (1 piece)		3808214	2	2	2	2	2	2	2	2
594	Gasket, Cu-ring ALCO CONTROLS/Ranco (1 piece)		2974343	4	4	4	4	4	4	4	4
	Sensor with gaskets OPS1		3110784	1	1	1	1	1	1	1	1
	Sensor with gaskets SENTRONIC (Caution! Obsolete and new SENTRONIC parts, e.g. obsolete module with new sensor, must not be used commonly), not available anymore		3807460	1	1	1	1	1	1	1	1
	Sensor with gaskets SENTRONIC+ NEW (Caution! Obsolete and new SENTRONIC parts, e.g. obsolete module with new sensor, must not be used commonly)		3107046	1	1	1	1	1	1	1	1
	Gasket, O-ring for sensor OPS1/SENTRONIC		2944124	1	1	1	1	1	1	1	1

Diagram No.	Description	Part No.	D4SA*-1000	D4SF*-1000	D4SH*-1500	D4SL*-1500	D4SA*-2000	D4SJ*-2000	D4ST*-2000	D4SH*-2500	D4SJ*-3000
	Gasket, circular for sensor OPS1	3112586	1	1	1	1	1	1	1	1	1
	Gasket, circular for sensor SENTRONIC	2951831	1	1	1	1	1	1	1	1	1
	PG-screw connection (kit) OPS1	3112348	1	1	1	1	1	1	1	1	1
	Protection cap for reset button OPS1	3112268	1	1	1	1	1	1	1	1	1
	Extension cable 3 m SENTRONIC (Caution! Obsolete and new SENTRONIC parts, e.g. obsolete module with new sensor, must not be used commonly)	3808087	1	1	1	1	1	1	1	1	1
	Extension cable 3,6 m SENTRONIC+ NEW (Caution! Obsolete and new SENTRONIC parts, e.g. obsolete module with new sensor, must not be used commonly)	3107035	1	1	1	1	1	1	1	1	1
600	Additional fan assy, vertical 60 W, 220-1-50, only for compressors with oil cooler	2919659		1		1					
600	Additional fan assy, vertical, 60 W, 220/380-3-50/60, only for compressors with oil cooler	2919648		1		1					
600	Additional fan assy, vertical, 220-1-50/60 EBM, not for compressors with oil cooler	2986113	1	1	1	1	1		1	1	
600	Additional fan assy, vertical, 220-1-50/60 EBM, not for compressors with oil cooler	2986099						1			1
600	Additional fan assy, vertical, 220/380-3-50/60 EBM, not for compressors with oil cooler	2986055	1	1	1	1	1		1	1	
600	Additional fan assy, vertical, 220/380-3-50/60 EBM, not for compressors with oil cooler	2985983						1			1
600	Additional fan assy, vertical, 500-3-50 EBM, not for compressors with oil cooler	2986124	1	1	1	1	1		1	1	
600	Additional fan assy, vertical, 500-3-50 EBM, not for compressors with oil cooler	2986102						1			1
601	Motor for additional fan 60 W, 220/380-3-50/60 (if motor is 220-1-50, please order additionally run capacitor 6 µF)	2487456	1	1	1	1	1	1	1	1	1
601/602/	Additional fan assy, vertical 220-1-50/60 EBM w/o mounting kit	2998245	1	1	1	1	1	1	1	1	1
601/602/	Additional fan assy, vertical 220/380-3-50/60 EBM w/o mounting kit	2998256	1	1	1	1	1	1	1	1	1
601/602/	Additional fan assy, vertical 500-3-50 EBM w/o mounting kit	2998267	1	1	1	1	1	1	1	1	1
	Run capacitor 6 µF for fan motor 50/55/60 W	2728686	1	1	1	1	1	1	1	1	1
	Run capacitor 5 µF for additional fan 220-1-50/60 EBM	3097996	1	1	1	1	1	1	1	1	1
602	Fan blade for additional fan 60 W (4 blades), ø 305 mm 33°	2728131	1	1	1	1	1	1		1	1
603	Fan guard for additional fan 60 W; for a complete fan guard please order additionally 2 x cover 2912909 and 4 x	2912443	1	1	1	1	1	1		1	1
604	Cover for fan guard 60 W (1 piece)	2912909	2	2	2	2	2	2		2	2
605	Bolt B 3,9 x 16 Z 2 DIN 7976, 60 W (1 piece)	2939684	4	4	4	4	4	4		4	4
610	Mounting kit for additional fan 60 W	2830516	1	1	1	1	1			1	
610	Mounting kit for additional fan 60 W	2830710						1			1
610	Mounting kit for additional fan EBM	2986260	1	1	1	1	1		1	1	
610	Mounting kit for additional fan EBM	2986259						1			1
620	Oil cooler	2918703		1		1					
	Oil cooler connection for housing cover	3072262		1		1					
	Oil cooler connection for oil pump	2941363		1		1					

Miscellaneous					
Item	Specification	Part Number	Item	Specification	Part Number
Adapter	1/8" - 27 NPTF	2059791	Waterhose	1/2"	2486102
Adapter	1/4" - 18 NPTF	2038650	Waterhose	1"	2487569
Angle adapter	1/4" - 18 NPTF	2038956	Worm drive hose clip for waterhose	1/2"	2486113
T-adapter	1/8" - 27 NPTF	2059780	Worm drive hose clip for waterhose	1"	2487570
T-adapter	1/4" - 18 NPTF	2059779	Oil separator	OS-16	2981265
T-adapter for oil pressure safety switch	1/4" - 18 NPTF	2039993	Oil separator	OS-22 F	3097941
Schrader valve	1/8" - 27 NPTF	2051117	Oil separator	OS-28 F	2946482
Schrader valve	1/4" - 18 NPTF	2830696	Socket wrench for Torx-screw (rod)	1/2" - Drive	2455275
Schrader valve - T	1/8" - 27 NPTF	2048797	Sight glass key DK, DL, DN (except DN..2)		2831213
Connection for Schrader valve		2502400	Key for sight glass retainer for oil balance DK, DL, DN (except DN..2)	DK, DL, DN (except DN..2)	2831462
Loctite (tube 50 cm3)	Loctite 572	2195148	Screw plug	1/8" - 27 NPTF	2043156
Refrigeration-oil (can 1 l)	SHELL 22-12	2190814	Screw plug	1/4" - 18 NPTF	2045685
Refrigeration-oil (can 4 l)	Suniso 3 GS	3103953	Screw plug	3/8" - 18 NPTF	2040997
Refrigeration-oil (can 3 l)	ALKYLAT 150 DT	2834234	Screw plug	1/2" - 14 NPTF	2856027
Refrigeration-oil (can 1 US quart, appr. 0,946 l)	Mobil EAL ARCTIC 22 CC	3808203	Screw plug for liquid receiver and WR/K-receiver	1/2" - 14 NPTF Ms	2976838
Refrigeration-oil (can 1 US gallone, appr. 3,8 l)	Mobil EAL ARCTIC 22 CC	3808190	Liquid receiver, special horizontal design	13 l for DK	2479699
Refrigeration-oil (can 1 l)	ICI EMKARATE RL 32 CF	3808112	Liquid receiver, special horizontal design	23 l for DL, DN, DM, D2	2479702
Refrigeration-oil (can 5 l)	ICI EMKARATE RL 32 CF	3808123	Liquid receiver, special horizontal design	D3, D9, D4, D6	2479713
Refrigeration-oil (canister 25 l)	ICI EMKARATE RL 32 CF	3808134	Hand-refractometer	998-RMET-00	8024575
Varnish, grey (can 1 kg)	RAL 7031	2641141	Module for S-protection (complete for conversion into MP 23)	Kriwan INT 300 internal 120 V	3806025
Varnish, grey, spray (carton, 6 cans)	RAL 7031	2836898	Module for S-protection (complete for conversion into MP 23)	Kriwan INT 300 internal 230 V	2941852
Capillary tube with gaskets, Cu-ring	2,4 x 0,45 1000 mm length	3808214			
Capillary tube with gaskets, Cu-ring	2,4 x 0,45 1500 mm length	3808225			
Cleaning brushes for WR/K-condensers		2039324			